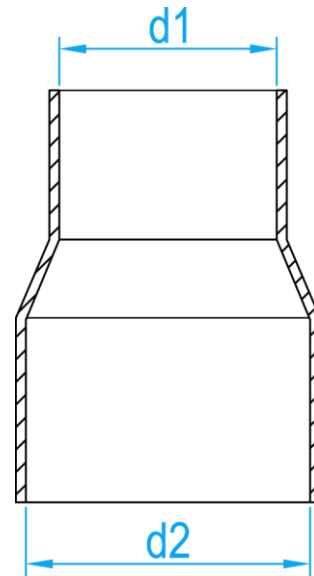


# CAPILLARY REDUCER

COMPLY WITH BS EN 1254-1

## REDUCER



CROSS SECTIONAL VIEW

### COMPONENTS PARTS

PARTS	MATERIAL
REDUCER	COPPER

### DIMENSIONS

SKU	d2 (mm)	d1 (mm)	WEIGHT (Kg)	PCS/CTN
MBLRS01512	15	12	0.007	1000
MBLRS02015	22	15	0.018	1200
MBLRS02515	28	15	0.024	810
MBLRS02520	28	22	0.030	810
MBLRS03515	35	15	0.047	360
MBLRS03520	35	22	0.043	360
MBLRS03525	35	28	0.047	360
MBLRS04215	42	15	0.060	200
MBLRS04220	42	22	0.068	200
MBLRS04225	42	28	0.087	200
MBLRS04235	42	35	0.074	200
MBLRS05015	54	15	0.109	128
MBLRS05020	54	22	0.109	128
MBLRS05025	54	28	0.108	120
MBLRS05035	54	35	0.115	120
MBLRS05042	54	42	0.123	120

### DIMENSIONS

SKU	d2 (mm)	d1 (mm)	WEIGHT (Kg)	PCS/CTN
MBLRS06515	67	15	0.185	60
MBLRS06520	67	22	0.244	60
MBLRS06525	67	28	0.174	60
MBLRS06535	67	35	0.235	60
MBLRS06542	67	42	0.189	60
MBLRS06550	67	54	0.208	45
MBLRS08025	76	28	0.280	45
MBLRS08035	76	35	0.297	45
MBLRS08042	76	42	0.333	45
MBLRS08050	76	54	0.258	45
MBLRS08065	76	67	0.285	45
MBLRS10050	108	54	0.807	20
MBLRS10065	108	67	0.630	20
MBLRS10080	108	76	0.849	20
MBLRS150100	159	108	1.780	2

 Note: The weight tolerance standard is  $\pm 5\%$